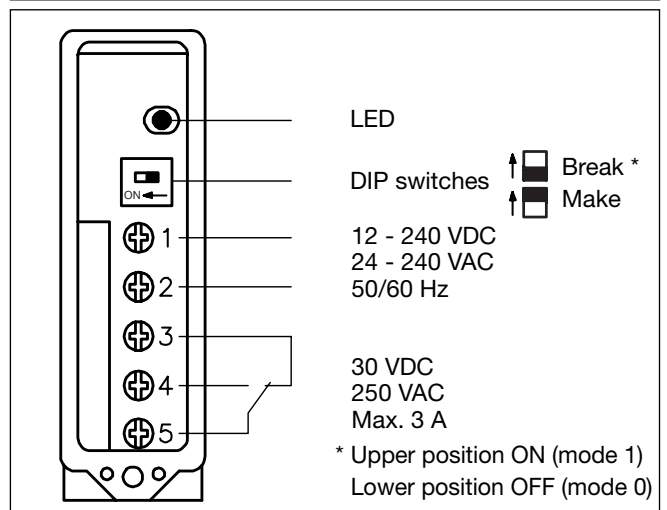


Specifications (cont.)

Housing material	
Body	PC/ABS, grey
Front	PMMA, red
Cover	PC, black
Cable gland	PA, black, reinforced
Mounting bracket	Steel, galvanized
Connection	
Screw terminal	5 x 2 x 1 mm ²
Cable gland	PG 13.5 or 1/2" NPT for cable 6 to 10 mm
Weight	110 g
Approvals	UL, CSA
CE-marking	Yes

Connection Diagram



Dimensions

